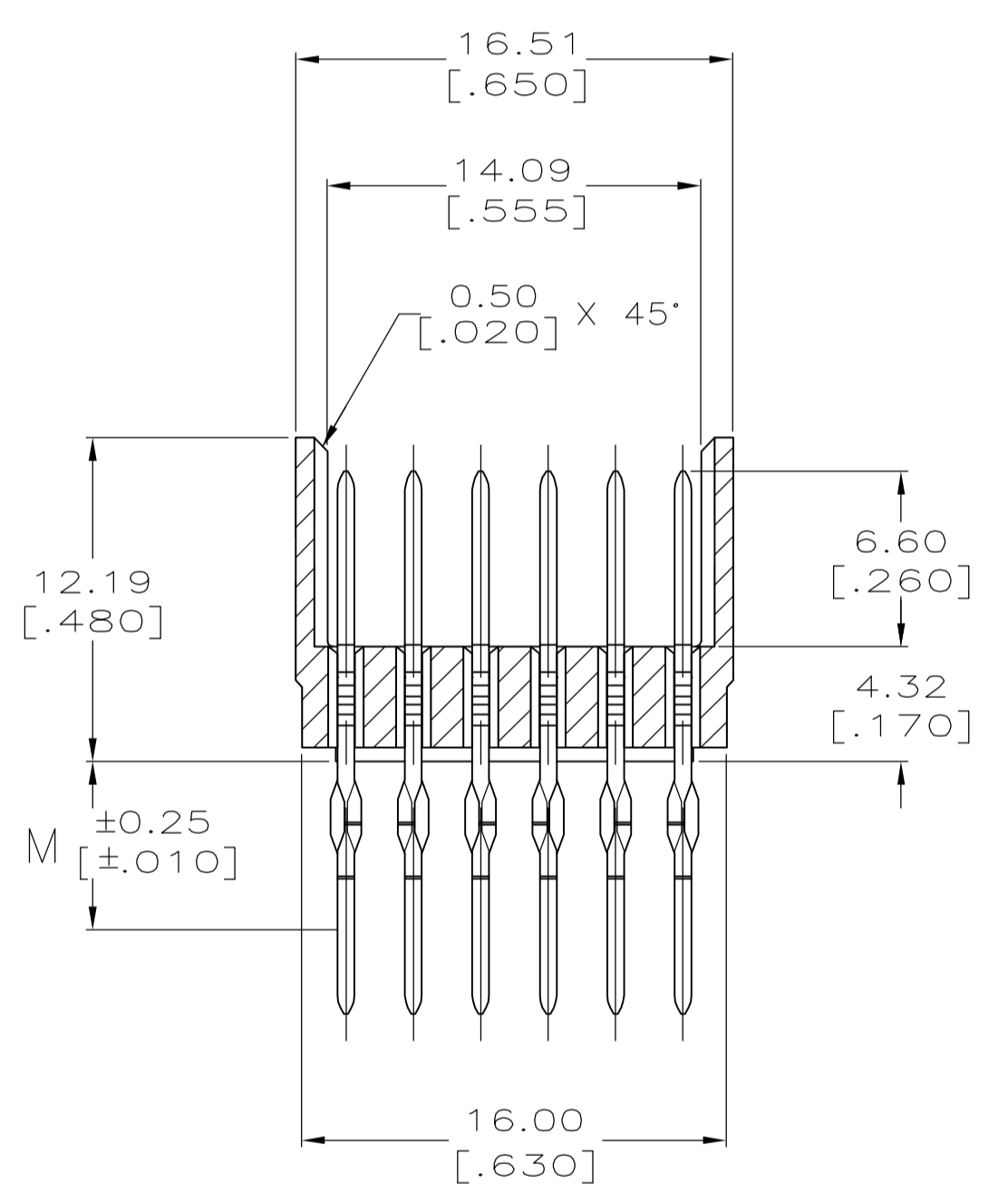
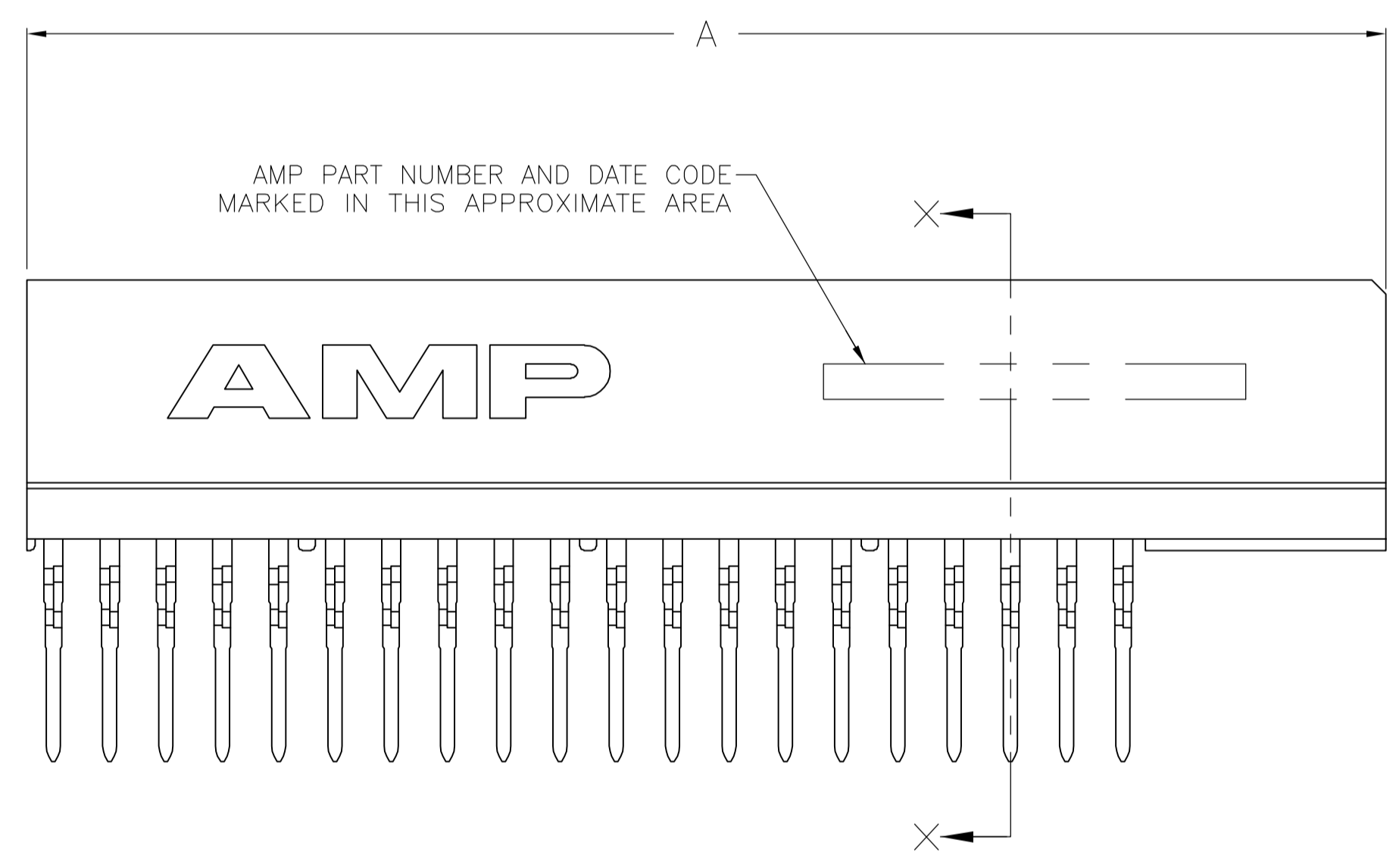
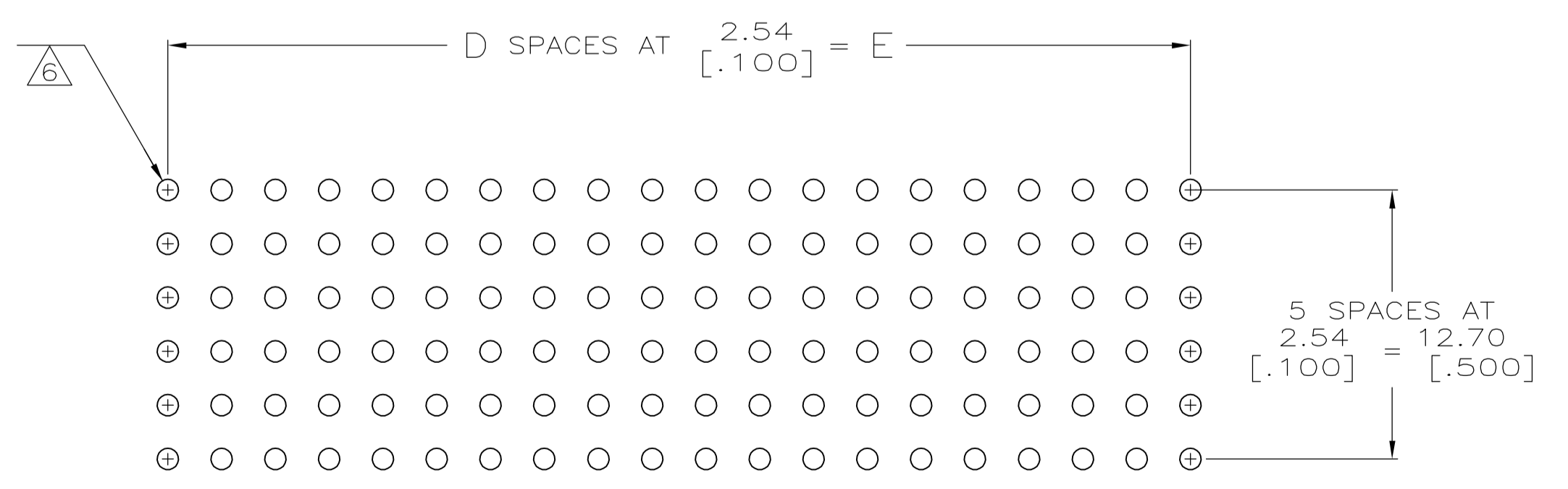


- ① HOUSING MATERIAL: GLASS FILLED POLYESTER, COLOR: BLACK.
- ② CONTACT MATERIAL: PHOSPHOR BRONZE.
- ③ CONTACT FINISH: 0.00127 [.000050] NICKEL UNDERPLATE ALL OVER. 0.00076 [.000030] GOLD PLATE IN CONTACT AREAS. TIN-LEAD PLATE ON TAILS.
- ④ CONTACT FINISH: 0.00127 [.000050] NICKEL UNDERPLATE ALL OVER. 0.00076 [.000030] GOLD IN CONTACT AREAS AND LOWER 5.08 [.200] OF POSTS. GOLD FLASH ON REMAINDER.
- 5. GUIDE PINS AND KEYS SOLD SEPARATELY.
- ⑥ ACTION PIN POSTS REQUIRE 2.36 [.093] MIN THICK P.C. BOARD. RECOMMENDED P.C. BOARD HOLES ARE 1.151 [.0453] DIA PLATED THRU WITH 0.025-0.076 [.001-.003] COPPER AND 0.0076 [.0003] MIN TIN-LEAD. AFTER PLATING FINISHED HOLES SHALL BE 0.94-1.09 [.037-.043] DIA; AFTER REFLOW 0.91-1.09 [.036-.043] DIA.



SECTION X-X



RECOMMENDED P.C BOARD LAYOUT

OBSOLETE	④	9.52 [.375]	48.26 [1.900]	19	61.15 [2.368]	40	80	120	535845-8
OBSOLETE	④	9.52 [.375]	35.56 [1.400]	14	47.45 [1.868]	30	60	90	535845-7
	④	14.09 [.555]	48.26 [1.900]	19	61.15 [2.368]	40	80	120	535845-6
OBSOLETE	④	14.09 [.555]	35.56 [1.400]	14	47.45 [1.868]	30	60	90	535845-5
OBSOLETE	④	17.37 [.684]	48.26 [1.900]	19	61.15 [2.368]	40	80	120	535845-4
OBSOLETE	④	17.37 [.684]	35.56 [1.400]	14	47.45 [1.868]	30	60	90	535845-3
	③	6.35 [.250]	48.26 [1.900]	19	61.15 [2.368]	40	80	120	535845-2
	③	6.35 [.250]	35.56 [1.400]	14	47.45 [1.868]	30	60	90	535845-1
FINISH		M	E	D	A	NO OF PLUS CONTACTS	NO OF SIGNAL CONTACTS	POSN	PART NO

THIS DRAWING IS A CONTROLLED DOCUMENT.

DIMENSIONS: mm [INCHES]	TOLERANCES UNLESS OTHERWISE SPECIFIED:	DWN R. RINEHART/UTA 11/27/90	CHK N. SCHROLL 9-21-93	APVD N. SCHROLL 9-21-93	NAME N. SCHROLL	TYCO Electronics Tyco Electronics Corporation Harrisburg, PA 17105-3608
0 PLC ± -	1 PLC ± -	2 PLC ± 0.12 [.005]	3 PLC ± -	4 PLC ± -	ANGLES ± -	SIZE A1
MATERIAL	FINISH SEE TABLE	WEIGHT	SCALE 4:1	SHEET 1 of 1	REV J2	RESTRICTED TO

CUSTOMER DRAWING